

## Vacuum Packers

### Vacuum packer 8m<sup>3</sup>/h table top (UK plug)

ITEM # \_\_\_\_\_

MODEL # \_\_\_\_\_

NAME # \_\_\_\_\_

SIS # \_\_\_\_\_

AIA # \_\_\_\_\_



602211 (EVP08D)

\* NOT TRANSLATED \*

### Main Features

- Table-top vacuum packer with oil lubricated vacuum pump.
- Vacuum level control through high-precision, absolute-type vacuum sensor, which does not require calibration.
- Pressure chamber made of constant thickness, hydroformed, stainless steel with rounded corners for easy cleaning.
- Sturdy, transparent PMMA (plexiglass) lid with rounded edges; opens automatically at the end of the cycle.
- Control panel, resistant to liquids, humidity, dirt and dust.
- 10 editable user programs (vacuum, extra vacuum, sealing time).
- 1 vacuum cycle for jars/containers.
- Adjustable sealing time 0.1 to 6 seconds.
- Specific pump oil cleaning cycle (H2Out).
- Automatic warnings if food needs cooling down (hot), failure in the packing process, gas missing, oil change.
- Pre-arranged for external vacuum packing in containers by connecting a specific pipe to the air extraction nozzle (available as spare part).
- 2 PE filling plates included.
- Sealing bar 310 mm, easily removable for cleaning.

### Construction

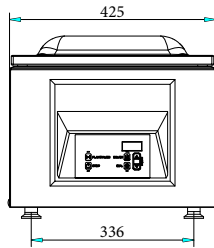
- Entirely constructed in 304 AISI stainless steel.
- Easy access for service through hinged opening of the body.

### Optional Accessories

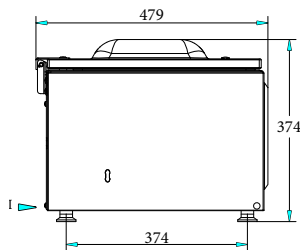
- - NOT TRANSLATED - PNC 650239
- - NOT TRANSLATED - PNC 650240
- - NOT TRANSLATED - PNC 650243

APPROVAL: \_\_\_\_\_

Front

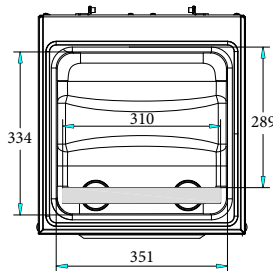


Side

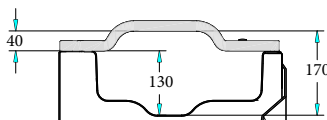


EI = Electrical inlet (power)

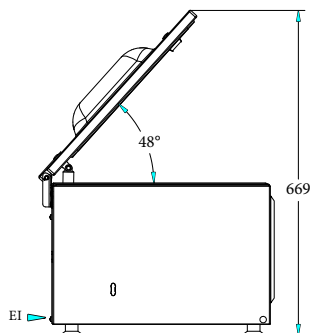
Top



Other



Perspective



### Electric

<b>Supply voltage:</b>	
602211 (EVP08D)	220-240 V/1N ph/50-60 Hz
<b>Total Watts:</b>	0.6 kW
<b>Plug type:</b>	UK-13A

### Key Information:

<b>Well Capacity:</b>	14.1 lt
<b>Pump:</b>	8 m <sup>3</sup> /h
<b>Sealing bar position:</b>	Front
<b>Sealing bar length:</b>	310 mm
<b>Max chamber (chamber + cover) dimensions:</b>	334 x 351 x 170 mm
<b>Chamber working dimensions:</b>	289 x 347 x 130 mm
<b>Filling board nr:</b>	2
<b>Gas nozzles:</b>	no gas
<b>External dimensions, Width:</b>	425 mm
<b>External dimensions, Depth:</b>	479 mm
<b>External dimensions, Height:</b>	374 mm
<b>Net weight (kg):</b>	35.5